



# Product Catalogue

Sanitary and plumbing products

[avirock.com](http://avirock.com)

# Content

|           |                                       |           |
|-----------|---------------------------------------|-----------|
| <b>01</b> | <b>VALVES</b>                         | <b>06</b> |
|           | Fill valves                           | 07        |
|           | Fill valves - SIDE CONNECTION         |           |
|           | Fill valves - BOTTOM CONNECTION       |           |
|           | Flush valves                          | 08        |
|           | Flush valves - SINGLE FLUSH           |           |
|           | Flush valves - DUAL FLUSH             |           |
|           | Fill and flush kits                   | 10        |
|           | Valves - accessories                  | 12        |
| <b>02</b> | <b>WC SEATS</b>                       | <b>16</b> |
|           | WC seats                              | 17        |
|           | WC seats - hinges                     | 25        |
| <b>03</b> | <b>WASTES AND TRAPS</b>               | <b>28</b> |
|           | Bath wastes and traps                 | 29        |
|           | Bath waste and traps - BASIC          |           |
|           | Bath waste and traps - POP-UP         |           |
|           | Bath waste and traps - CLICK/CLACK    |           |
|           | Bath waste and traps - accesories     |           |
|           | Shower wastes and traps               | 32        |
|           | Shower wastes and traps - CLICK/CLACK |           |
|           | Shower wastes and traps - DN50        |           |

|           |   |           |
|-----------|---|-----------|
| <b>03</b> | <b>WASTES AND TRAPS</b>                         | <b>28</b> |
|           | <b>Wash-basin wastes and traps</b>              | <b>33</b> |
|           | Wash-basin wastes and traps - BASIC             |           |
|           | Wash-basin wastes and traps - WITH OVERFLOW     |           |
|           | Wash-basin wastes and traps - WITH COUPLING NUT |           |
|           | Wash-basin wastes and traps - OUTLETS           |           |
|           | <b>Sink wastes and traps</b>                    | <b>38</b> |
|           | Sink wastes and traps - BASIC                   |           |
|           | Sink wastes and traps - WITH OVERFLOW           |           |
|           | Sink wastes and traps - WITH COUPLING NUT       |           |
|           | Sink wastes and traps - OUTLETS                 |           |
|           | <b>Flexible pipes</b>                           | <b>42</b> |
|           | <b>WC flexible connectors</b>                   | <b>44</b> |
| <b>04</b> | <b>FLOOR DRAINS</b>                             | <b>46</b> |
| <b>05</b> | <b>TOILET BRUSHES</b>                           | <b>47</b> |
|           | Toilet brushes                                  | 49        |
|           | Toilet brushes - spare heads                    | 52        |

# About Us



AVIROCK is one of the leading manufacturers of sanitary and plumbing products, as well as plastic household goods. For 30 years, we have been successfully producing sanitary and plumbing products. Our company constantly expands the range and improves the quality of our products.

AVIROCK products are highly demanded among private customers, businesses of various sizes, construction organizations, and manufacturers of sanitary ceramics. All products under our brand meet modern international standards.

At our manufacturing facility, we carry out the entire production cycle - from the development of the product idea and model to the final prototype. Production takes place in modern production premises on specialized equipment from leading global companies using our proprietary molds.

The production capacity includes over 30 thermoplastic molding machines, enabling us to manufacture up to 15,000 products per shift, 1 200 tons of products per year, making AVIROCK one of the leading company in the production of sanitary-technical products in Central Europe.

Our company specializes in manufacturing sanitary products such as WC seats, waste and traps, fill and flush valves, and more. Additionally, we also produce a range of household and garden products. In addition to our core services, we also offer customized plastic and metal fabrication services to meet our clients' unique needs and specifications.







## 01

**VALVES**

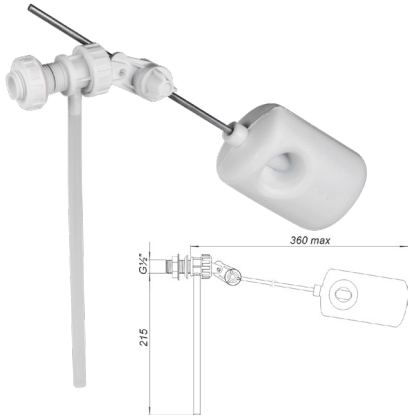
|                      |    |
|----------------------|----|
| Fill valves          | 07 |
| Flush valves         | 08 |
| Fill and flush kits  | 10 |
| Valves - accessories | 12 |

AVIROCK company manufactures fitting and components for WC flushing cisterns of various modifications and constructions. Technical resource of the fitting operation reaches 150 thousand cycles, and materials, used for fitting production, do not emit hazardous substances into environment under operating conditions. All the fittings fit wide range of the cisterns. Each set include everything that is required for fast and easy installation fitting.

## Fill valves - SIDE CONNECTION

### AN-01.00

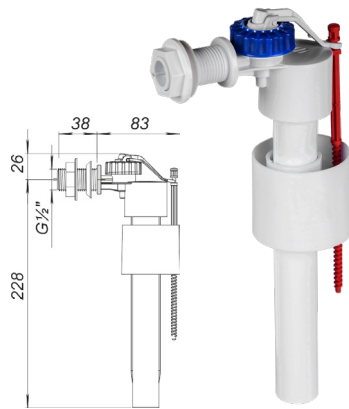
Side inlet fill valve G1/2"



|                          |     |
|--------------------------|-----|
| Quantity per box, pcs    | 40  |
| Quantity per pallet, pcs | 800 |

### AN-031.00

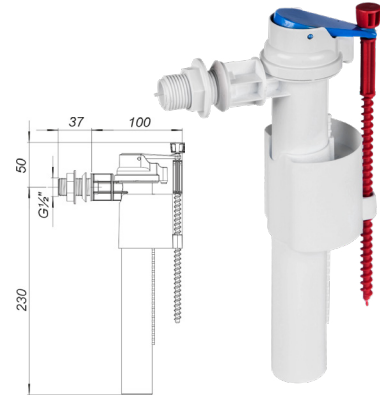
Side inlet fill valve G1/2"



|                          |       |
|--------------------------|-------|
| Quantity per box, pcs    | 70    |
| Quantity per pallet, pcs | 1 400 |

### AN-04

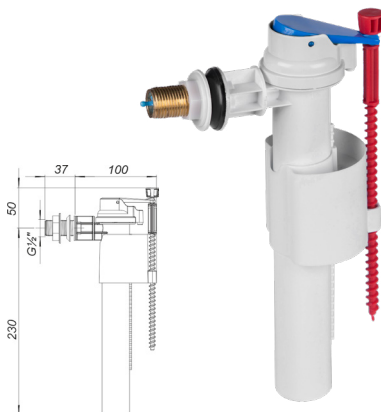
Side inlet fill valve G1/2"



|                          |     |
|--------------------------|-----|
| Quantity per box, pcs    | 40  |
| Quantity per pallet, pcs | 800 |

### AN-04L

Side inlet fill valve G1/2"



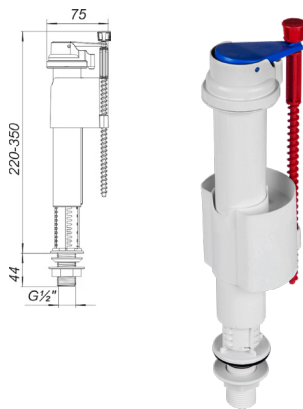
|                          |     |
|--------------------------|-----|
| Quantity per box, pcs    | 40  |
| Quantity per pallet, pcs | 800 |



## Fill valves - BOTTOM CONNECTION

### ANN-01

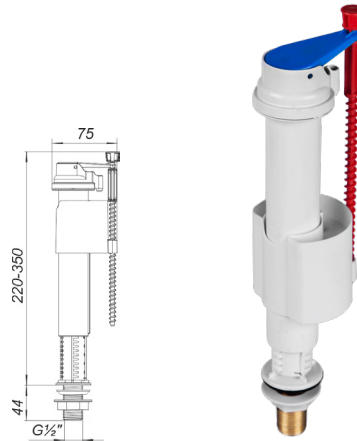
Side inlet fill valve G1/2"



Quantity per box, pcs 50  
Quantity per pallet, pcs 1 000

### ANN-01L

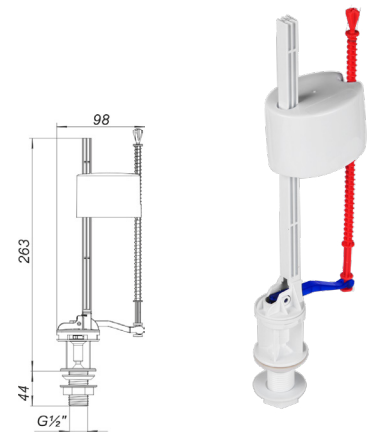
Bottom inlet fill valve brass thread G1/2"



Quantity per box, pcs 50  
Quantity per pallet, pcs 1 000

### ANN-02

Bottom inlet fill valve G1/2"

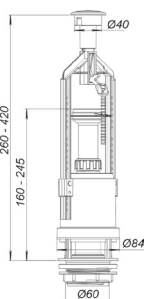


Quantity per box, pcs 50  
Quantity per pallet, pcs 1 000

## Flush valves - SINGLE FLUSH

### AS-04.00

Flush valve with STOP button

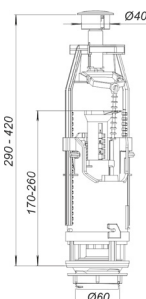


START/  
STOP

Quantity per box, pcs 30  
Quantity per pallet, pcs 600

### AS-05

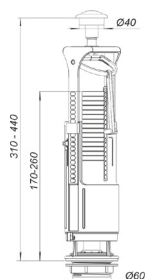
Flush valve



Quantity per box, pcs 30  
Quantity per pallet, pcs 600

### AS-06

Flush valve

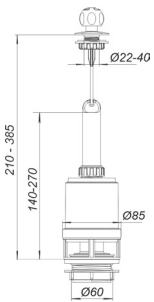


Quantity per box, pcs 30  
Quantity per pallet, pcs 600

## Flush valves - SINGLE FLUSH

### AS-02.00

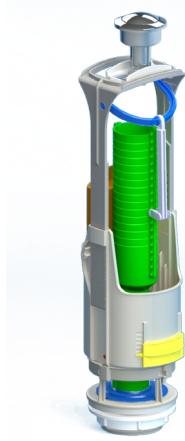
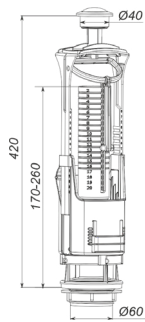
Flush valve with height  
adjustmen



Quantity per box, pcs 25  
Quantity per pallet, pcs 500

### AS-08

Flush valve

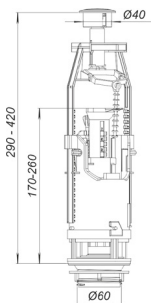


Quantity per box, pcs 20  
Quantity per pallet, pcs 360

## Flush valves - DUAL FLUSH

### AS2-01

Flush valve with DUAL  
control button

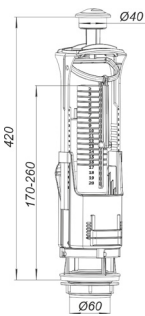


DUAL  
3L/6L

Quantity per box, pcs 30  
Quantity per pallet, pcs 600

### AS2-03

Flush valve with DUAL  
control button



DUAL  
3L/6L

Quantity per box, pcs 20  
Quantity per pallet, pcs 360

## Fill and flush kits

### ABU-00

Fill and flush kit with side inlet. Package content: AN-01, AS-02.00, screws, gaskets



|                          |     |
|--------------------------|-----|
| Quantity per box, pcs    | 20  |
| Quantity per pallet, pcs | 400 |

### ABU-20

Fill and flush kit with side inlet. Package content: AN-031, AS-02.00, screws, gaskets



|                          |     |
|--------------------------|-----|
| Quantity per box, pcs    | 18  |
| Quantity per pallet, pcs | 360 |

### ABK-01

Fill and flush kit with STOP button and side inlet. Package content: AN-01, AS-04.00, screws, gaskets



|                          |     |
|--------------------------|-----|
| Quantity per box, pcs    | 22  |
| Quantity per pallet, pcs | 440 |

### ABK-02

Fill and flush kit with STOP button and side inlet. Package content: AN-031, AS-04.00, screws, gaskets



|                          |     |
|--------------------------|-----|
| Quantity per box, pcs    | 22  |
| Quantity per pallet, pcs | 440 |

### ABK-03

Fill and flush kit with STOP button and side inlet. Package content: AN-04, AS-04.00, screws, gaskets



|                          |     |
|--------------------------|-----|
| Quantity per box, pcs    | 18  |
| Quantity per pallet, pcs | 360 |

### ABK-04

Fill and flush kit with STOP button and side inlet. Package content: ANN-02, AS-04.00, screws, gaskets



|                          |     |
|--------------------------|-----|
| Quantity per box, pcs    | 20  |
| Quantity per pallet, pcs | 400 |

## Fill and flush kits

### ABK-05

Fill and flush kit with side inlet. Package content: AN-031, AS-05, screws, gaskets



|                          |     |
|--------------------------|-----|
| Quantity per box, pcs    | 20  |
| Quantity per pallet, pcs | 400 |

### ABK-10

Fill and flush kit with STOP button and side inlet. Package content: ANN-01, AS-04, screws, gaskets



|                          |     |
|--------------------------|-----|
| Quantity per box, pcs    | 20  |
| Quantity per pallet, pcs | 400 |

### ABK-12

Fill and flush kit with button inlet. Package content: ANN-02, AS-05, screws, gaskets



|                          |     |
|--------------------------|-----|
| Quantity per box, pcs    | 20  |
| Quantity per pallet, pcs | 400 |

### ABK-14

Fill and flush kit with STOP button and side inlet. Package content: ANN-02, AS-04, screws, gaskets



|                          |     |
|--------------------------|-----|
| Quantity per box, pcs    | 20  |
| Quantity per pallet, pcs | 400 |

### ABK2-01

Fill and flush kit with DUAL control button and side inlet. Package content: AN-031, AS2-01, screws, gaskets



|                          |     |
|--------------------------|-----|
| Quantity per box, pcs    | 20  |
| Quantity per pallet, pcs | 400 |

### ABK2-10

Fill and flush kit with DUAL control button and bottom inlet. Package content: ANN-01, AS2-01, screws, gaskets

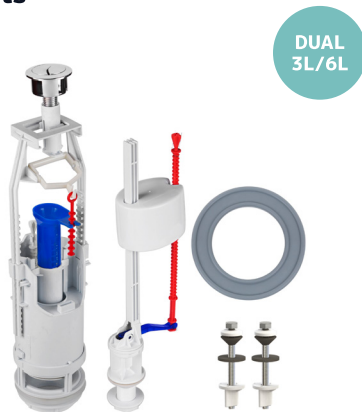


|                          |     |
|--------------------------|-----|
| Quantity per box, pcs    | 20  |
| Quantity per pallet, pcs | 400 |

## Fill and flush kits

### ABK2-12

Fill and flush kit with DUAL control button and bottom inlet. Package content: ANN-02, AS2-01, screws, gaskets



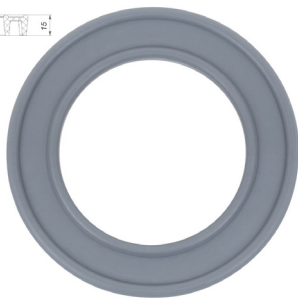
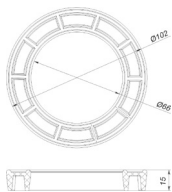
Quantity per box, pcs 20

Quantity per pallet, pcs 400

## Valves - accessories

### AS-01.18.I.ZP

Gasket



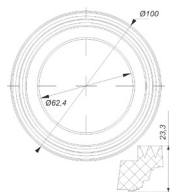
Quantity per set 15

Quantity per box, pcs 90

Quantity per pallet, pcs 7 920

### AS-01.18.K.ZP

Gasket



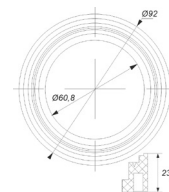
Quantity per set 10

Quantity per box, pcs 70

Quantity per pallet, pcs 6 160

### AS-01.18.ZP

Gasket



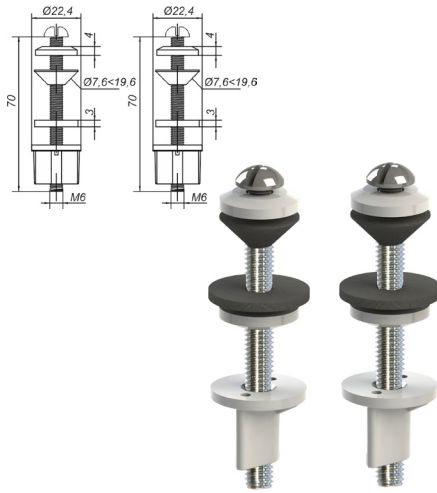
Quantity per box, pcs 66

Quantity per pallet, pcs 5 808

## Valves - accessories

### ASN-11.ZP

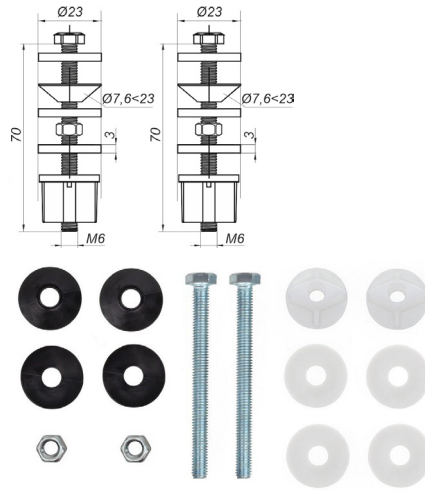
#### Screws



|                          |        |
|--------------------------|--------|
| Quantity per box, pcs    | 300    |
| Quantity per pallet, pcs | 26 400 |

### ASN-07.ZP

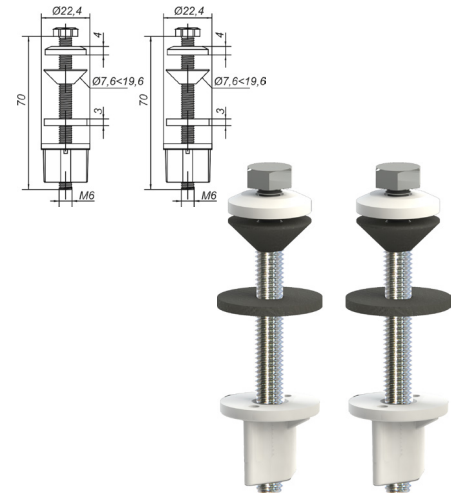
#### Screws



|                          |        |
|--------------------------|--------|
| Quantity per box, pcs    | 200    |
| Quantity per pallet, pcs | 17 600 |

### ASN-03.ZP

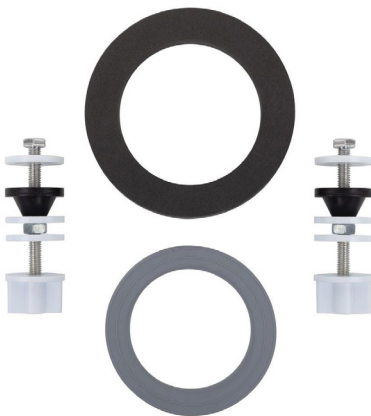
#### Screws



|                          |        |
|--------------------------|--------|
| Quantity per box, pcs    | 300    |
| Quantity per pallet, pcs | 26 400 |

### NKUB-01

#### Toilet tank to bowl bolt and gasket kit



|                          |     |
|--------------------------|-----|
| Quantity per box, pcs    | 10  |
| Quantity per pallet, pcs | 880 |







## 02

**WC SEATS:**

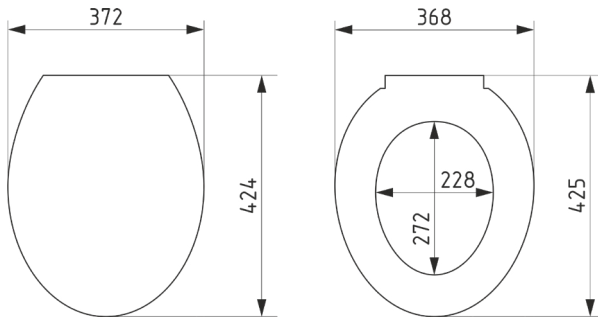
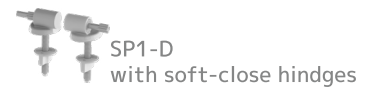
|                   |    |
|-------------------|----|
| WC seats          | 17 |
| WC seats - hinges | 25 |

AVIROCK manufactures wide range of high qualitative WC seats of various modifications and value categories with soft-close systems. Our clients and partners will appraise fair prices and one of the most advantageous delivery conditions in the market. Modern equipment and our experience will give the possibility to simulate, create prototypes and arrange batch production for OEM and private trademarks.

WC seat

SP1

Modifications



Dimensions (piece), mm 372x425x51

Distance between hinges, mm 155±5

Weight (piece), kg 1,1

Material polypropylene

Quantity per box, pcs 10

Quantity per pallet, pcs 240



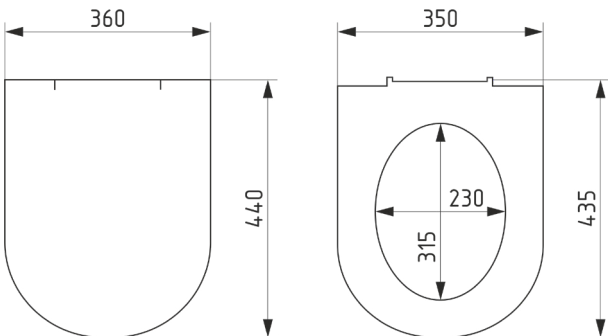
soft-close



WC seat

SP2

Modifications



Dimensions (piece), mm 360x440x49

Distance between hinges, mm 155±5

Weight (piece), kg 1,2

Material polypropylene

Quantity per box, pcs 10

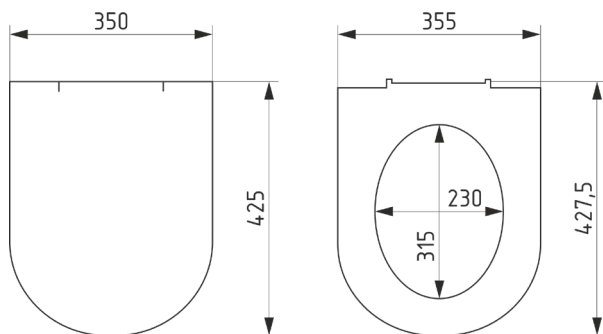
Quantity per pallet, pcs 240



## WC seat

SP3

## Modifications

SP3-P  
with plastic hinges

Dimensions (piece), mm 355x428x53

Distance between hinges, mm 155±5

Weight (piece), kg 1

Material polypropylene

Quantity per box, pcs 12

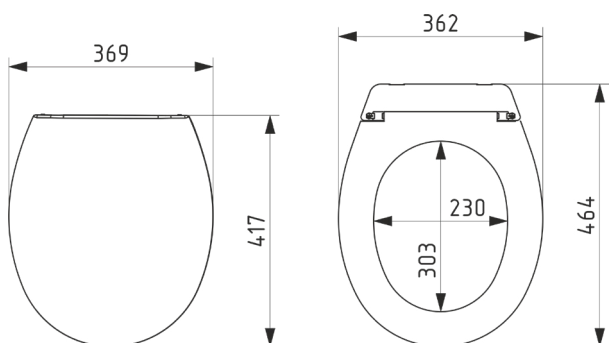
Quantity per pallet, pcs 288



## WC seat

SP4

## Modifications

SP4-P  
with plastic hinges

Dimensions (piece), mm 369x464x43

Distance between hinges, mm 155±5

Weight (piece), kg 0.8

Material polypropylene

Quantity per box, pcs 12

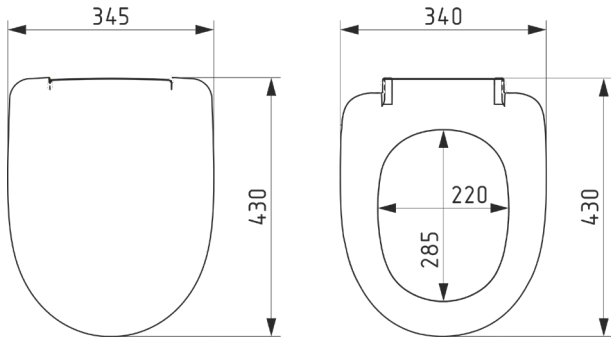
Quantity per pallet, pcs 288



WC seat

SP5

Modifications



|                             |               |
|-----------------------------|---------------|
| Dimensions (piece), mm      | 345x430x51    |
| Distance between hinges, mm | 155±5         |
| Weight (piece), kg          | 1             |
| Material                    | polypropylene |
| Quantity per box, pcs       | 12            |
| Quantity per pallet, pcs    | 288           |



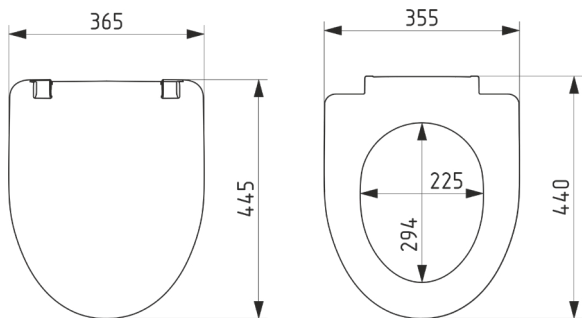
soft-close



WC seat

SP6

Modifications



|                             |               |
|-----------------------------|---------------|
| Dimensions (piece), mm      | 365x445x48    |
| Distance between hinges, mm | 155±5         |
| Weight (piece), kg          | 1,3           |
| Material                    | polypropylene |
| Quantity per box, pcs       | 9             |
| Quantity per pallet, pcs    | 216           |



soft-close



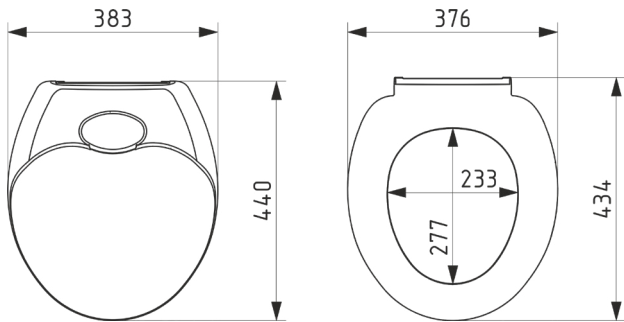
## WC seat

SP7

## Modifications



SP7-D  
with soft-close hinges



|                             |               |
|-----------------------------|---------------|
| Dimensions (piece), mm      | 383x440x73    |
| Distance between hinges, mm | 155±5         |
| Weight (piece), kg          | 1,5           |
| Material                    | polypropylene |
| Quantity per box, pcs       | 5             |
| Quantity per pallet, pcs    | 120           |



soft-close

## WC seat

SP8

## Modifications



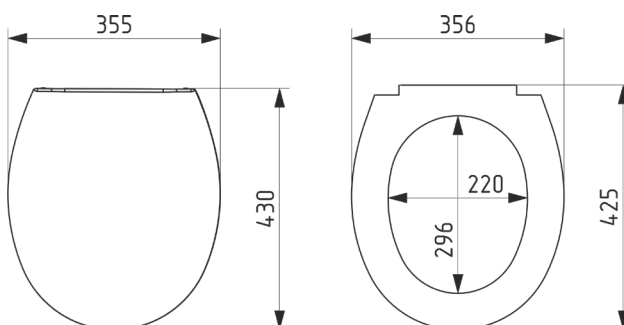
SP8-P  
with plastic hinges



SP8-M  
with metal hinges



SP8-D  
with soft-close hinges



|                             |               |
|-----------------------------|---------------|
| Dimensions (piece), mm      | 356x430x51    |
| Distance between hinges, mm | 155±5         |
| Weight (piece), kg          | 1             |
| Material                    | polypropylene |
| Quantity per box, pcs       | 10            |
| Quantity per pallet, pcs    | 240           |

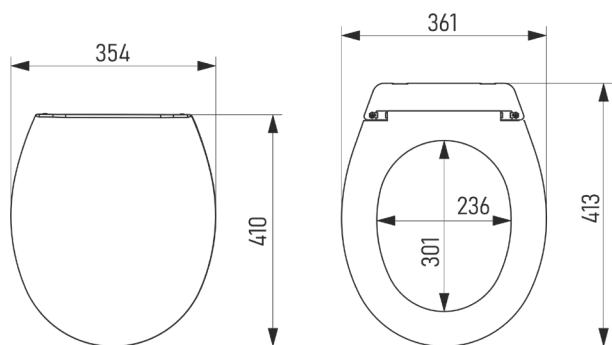


soft-close

WC seat

SP10

Modifications



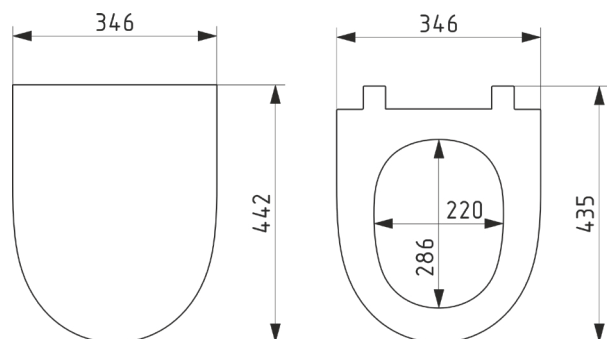
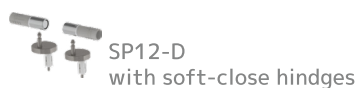
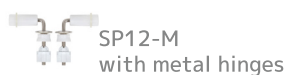
|                             |               |
|-----------------------------|---------------|
| Dimensions (piece), mm      | 361×413×50    |
| Distance between hinges, mm | 155±5         |
| Weight (piece), kg          | 0,6           |
| Material                    | polypropylene |
| Quantity per box, pcs       | 12            |
| Quantity per pallet, pcs    | 288           |



WC seat

SP12

Modifications



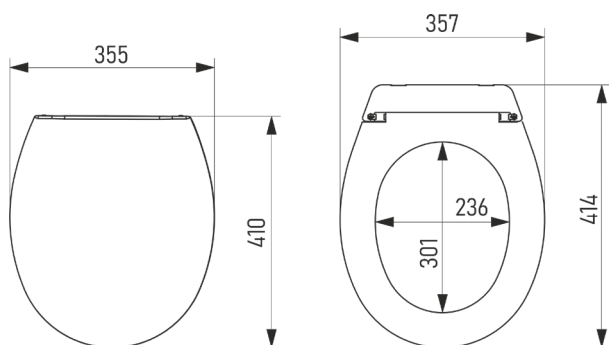
|                             |               |
|-----------------------------|---------------|
| Dimensions (piece), mm      | 442×346×51    |
| Distance between hinges, mm | 155±5         |
| Weight (piece), kg          | 2,1           |
| Material                    | polypropylene |
| Quantity per box, pcs       | 10            |
| Quantity per pallet, pcs    | 240           |



## WC seat

SP13

## Modifications

SP13-P  
with plastic hinges

Dimensions (piece), mm 357x414x50

Distance between hinges, mm 155±5

Weight (piece), kg 0.6

Material polypropylene

Quantity per box, pcs 12

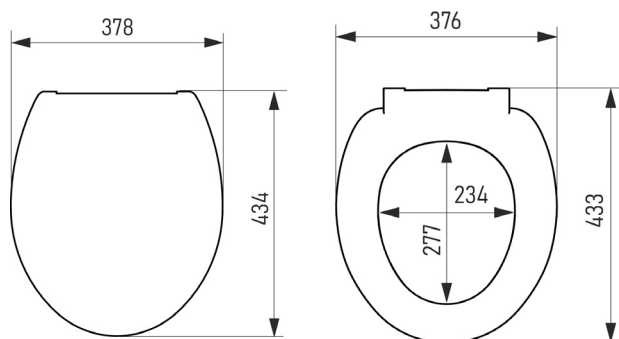
Quantity per pallet, pcs 288



## WC seat

SP14

## Modifications

SP14-D  
with soft-close hinges

Dimensions (piece), mm 378x434x55

Distance between hinges, mm 155±5

Weight (piece), kg 1.2

Material polypropylene

Quantity per box, pcs 10

Quantity per pallet, pcs 240

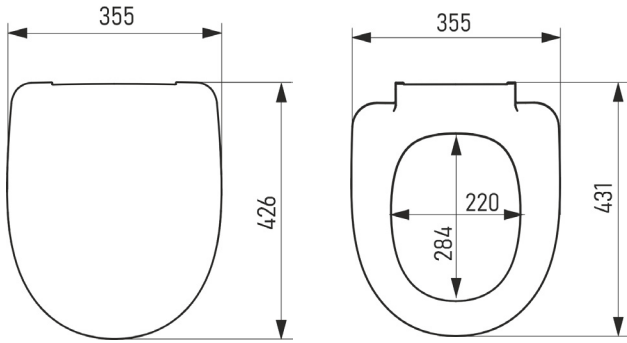
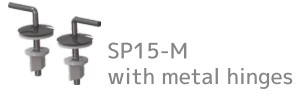


soft-close

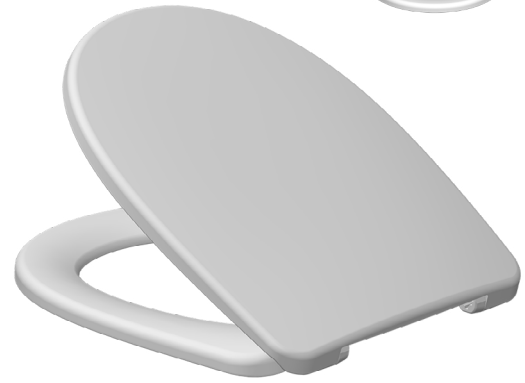
WC seat

SP15

Modifications



|                             |               |
|-----------------------------|---------------|
| Dimensions (piece), mm      | 355x431x45    |
| Distance between hinges, mm | 155±5         |
| Weight (piece), kg          | 1             |
| Material                    | polypropylene |
| Quantity per box, pcs       | 10            |
| Quantity per pallet, pcs    | 240           |

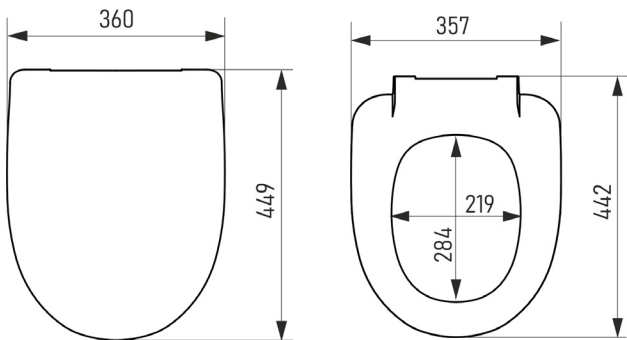


soft-close

WC seat

SP16

Modifications



|                             |               |
|-----------------------------|---------------|
| Dimensions (piece), mm      | 360x449x54    |
| Distance between hinges, mm | 155±5         |
| Weight (piece), kg          | 1,5           |
| Material                    | polypropylene |
| Quantity per box, pcs       | 10            |
| Quantity per pallet, pcs    | 240           |



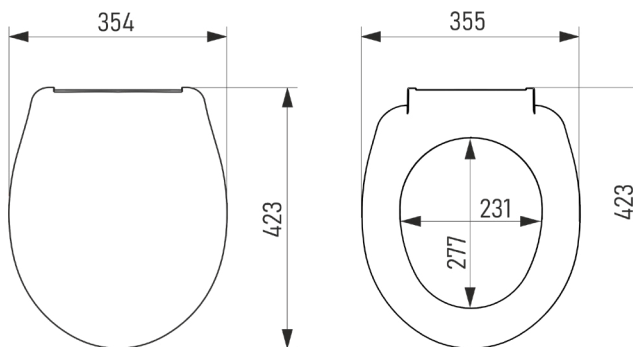
soft-close



## WC seat

SP18

## Modifications

SP18-P  
with plastic hingesSP18-M  
with metal hingesSP18-D  
with soft-close hinges

|                             |               |
|-----------------------------|---------------|
| Dimensions (piece), mm      | 355x423x44    |
| Distance between hinges, mm | 155±5         |
| Weight (piece), kg          | 1             |
| Material                    | polypropylene |
| Quantity per box, pcs       | 10            |
| Quantity per pallet, pcs    | 240           |



soft-close



## Plastic hinges



### SP1-P.ZP

**WC seat model:**  
SP1-P, SP5-P, SP8-P, SP15-P, SP18-P

|                          |       |
|--------------------------|-------|
| Bolt length, mm          | 80    |
| Quantity per box, pcs    | 60    |
| Quantity per pallet, pcs | 5 280 |



### SP2-P.ZP

**WC seat model:**  
SP2-P

|                          |       |
|--------------------------|-------|
| Bolt length, mm          | 80    |
| Quantity per box, pcs    | 60    |
| Quantity per pallet, pcs | 5 280 |



### SP3-P.ZP

**WC seat model:**  
SP3-P

|                          |       |
|--------------------------|-------|
| Bolt length, mm          | 100   |
| Quantity per box, pcs    | 60    |
| Quantity per pallet, pcs | 5 280 |



### SP6-P.ZP

**WC seat model:**  
SP6-P

|                          |       |
|--------------------------|-------|
| Bolt length, mm          | 100   |
| Quantity per box, pcs    | 60    |
| Quantity per pallet, pcs | 5 280 |

## Metal hinges



### SP1-M.ZP

**WC seat model:**  
SP1-M, SP18-M

|                          |       |
|--------------------------|-------|
| Bolt length, mm          | 50    |
| Quantity per box, pcs    | 60    |
| Quantity per pallet, pcs | 5 280 |



### SP5-M.ZP

**WC seat model:**  
SP5-M, SP8-M, SP15-M,

|                          |       |
|--------------------------|-------|
| Bolt length, mm          | 80    |
| Quantity per box, pcs    | 60    |
| Quantity per pallet, pcs | 5 280 |



### SP6-M.ZP

**WC seat model:**  
SP6-M

|                          |       |
|--------------------------|-------|
| Bolt length, mm          | 100   |
| Quantity per box, pcs    | 60    |
| Quantity per pallet, pcs | 5 280 |



### SP12-M.ZP

**WC seat model:**  
SP12-M

|                          |       |
|--------------------------|-------|
| Bolt length, mm          | 100   |
| Quantity per box, pcs    | 60    |
| Quantity per pallet, pcs | 5 280 |

## Soft-close hinges



### SP1-D.ZP

WC seat model:  
SP1-D, SP18-D

|                          |       |
|--------------------------|-------|
| Bolt length, mm          | 80    |
| Quantity per box, pcs    | 60    |
| Quantity per pallet, pcs | 5 280 |



### SP5-D.ZP

WC seat model:  
SP5-D, SP8-D, SP15-D,

|                          |       |
|--------------------------|-------|
| Bolt length, mm          | 80    |
| Quantity per box, pcs    | 60    |
| Quantity per pallet, pcs | 5 280 |



### SP6-D.ZP

WC seat model:  
SP6-D

|                          |       |
|--------------------------|-------|
| Bolt length, mm          | 100   |
| Quantity per box, pcs    | 60    |
| Quantity per pallet, pcs | 5 280 |



### SP7-D.ZP

WC seat model:  
SP7-D

|                          |       |
|--------------------------|-------|
| Bolt length, mm          | 100   |
| Quantity per box, pcs    | 60    |
| Quantity per pallet, pcs | 5 280 |

## Quick release hinge (with 2 buttons)



### SP12-D.ZP

WC seat model:  
SP12-D, SP14-D, SP16-D

|                          |       |
|--------------------------|-------|
| Bolt length, mm          | 70    |
| Quantity per box, pcs    | 60    |
| Quantity per pallet, pcs | 5 280 |





## 03

## WASTES AND TRAPS

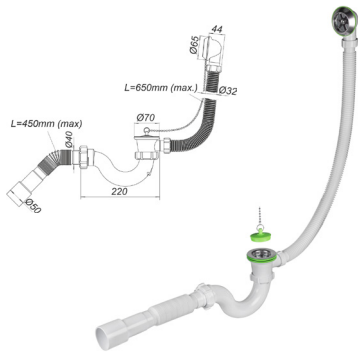
|                             |    |
|-----------------------------|----|
| Bath wastes and traps       | 29 |
| Shower wastes and traps     | 32 |
| Wash-basin wastes and traps | 33 |
| Sink wastes and traps       | 38 |
| Flexible pipes              | 42 |
| WC flexible connectors      | 44 |

AVIROCK wastes and traps include more than 100 modifications of traps for wash-basins, sinks, bath and shower tray traps, as well as drains: vertical and direct, flexible connections of various length and completing. Modern Italian and German technological equipment, as well as usage of qualitative raw materials and components give the possibility to achieve high indices of temperature resistance, linear plasticity, impact performance and to guarantee the manufacturer product long-term service life — not less than 10 years.

## Bath waste and traps - BASIC

### VO110ML

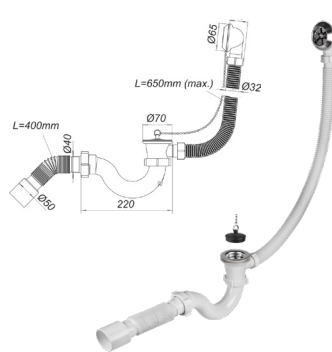
#### Bath waste and trap "BASIC"



|                                |       |
|--------------------------------|-------|
| Stainless steel drain grid, mm | 70    |
| Drain into sewage system, mm   | 40/50 |
| Quantity per box, pcs          | 18    |
| Quantity per pallet, pcs       | 360   |

### VO110

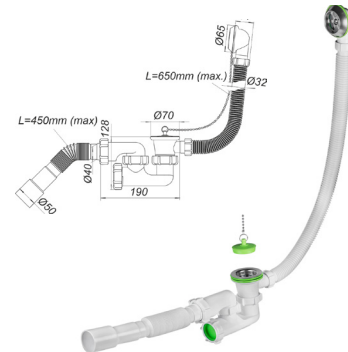
#### Bath waste and trap "Wave"



|                                |     |
|--------------------------------|-----|
| Stainless steel drain grid, mm | 70  |
| Drain into sewage system, mm   | 50  |
| Quantity per box, pcs          | 20  |
| Quantity per pallet, pcs       | 400 |

### RO110ML

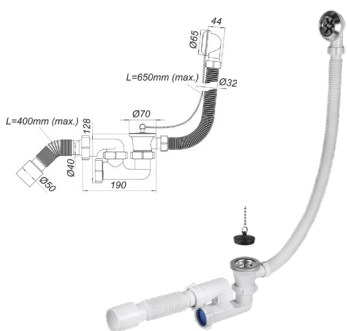
#### Bath waste and trap "BASIC"



|                                |       |
|--------------------------------|-------|
| Stainless steel drain grid, mm | 70    |
| Drain into sewage system, mm   | 40/50 |
| Quantity per box, pcs          | 16    |
| Quantity per pallet, pcs       | 320   |

### RO110

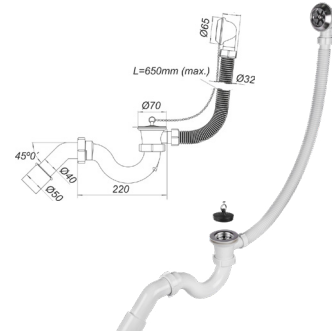
#### Bath waste and trap "Adjustable"



|                                |       |
|--------------------------------|-------|
| Stainless steel drain grid, mm | 70    |
| Drain into sewage system, mm   | 40/50 |
| Quantity per box, pcs          | 16    |
| Quantity per pallet, pcs       | 320   |

### VO120

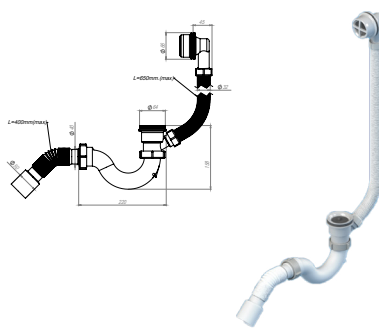
#### Bath waste and trap "Wave"



|                                |       |
|--------------------------------|-------|
| Stainless steel drain grid, mm | 70    |
| Drain into sewage system, mm   | 40/50 |
| Quantity per box, pcs          | 20    |
| Quantity per pallet, pcs       | 400   |

### VO010

#### Bath waste and trap "BASIC"

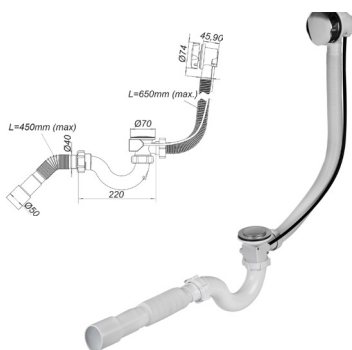


|                                |       |
|--------------------------------|-------|
| Stainless steel drain grid, mm | 70    |
| Drain into sewage system, mm   | 40/50 |
| Quantity per box, pcs          | 16    |
| Quantity per pallet, pcs       | 320   |

## Bath waste and traps - POP-UP

### VO210ML

#### Bath waste and trap "POP-UP"



|                                |       |
|--------------------------------|-------|
| Stainless steel drain grid, mm | 70    |
| Drain into sewage system, mm   | 40/50 |
| Quantity per box, pcs          | 16    |
| Quantity per pallet, pcs       | 320   |

### VO210

#### Bath waste and trap "Wave POP-UP"



|                                |     |
|--------------------------------|-----|
| Stainless steel drain grid, mm | 70  |
| Drain into sewage system, mm   | 50  |
| Quantity per box, pcs          | 16  |
| Quantity per pallet, pcs       | 320 |

### RO210ML

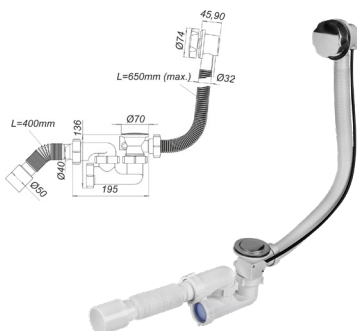
#### Bath waste and trap "POP-UP"



|                                |       |
|--------------------------------|-------|
| Stainless steel drain grid, mm | 70    |
| Drain into sewage system, mm   | 40/50 |
| Quantity per box, pcs          | 16    |
| Quantity per pallet, pcs       | 320   |

### RO210

#### Bath waste and trap "Adjustable POP-UP"

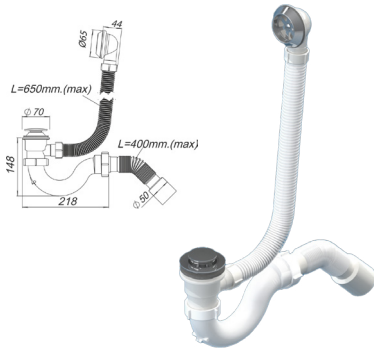


|                                |     |
|--------------------------------|-----|
| Stainless steel drain grid, mm | 70  |
| Drain into sewage system, mm   | 50  |
| Quantity per box, pcs          | 16  |
| Quantity per pallet, pcs       | 320 |

## Bath waste and traps - CLICK/CLACK

### V0236

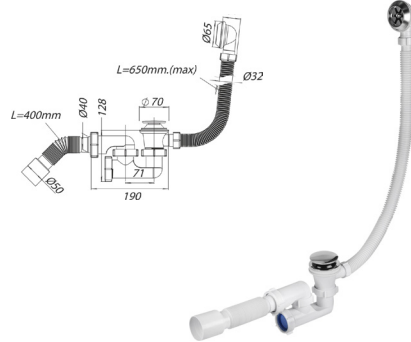
#### Bath waste and trap "Wave CLICK/CLACK"



|                                |     |
|--------------------------------|-----|
| Stainless steel drain grid, mm | 70  |
| Drain into sewage system, mm   | 50  |
| Quantity per box, pcs          | 16  |
| Quantity per pallet, pcs       | 320 |

### R0236

#### Bath waste and trap "Adjustable CLICK/CLACK"

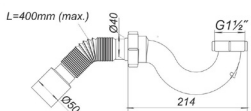


|                                |     |
|--------------------------------|-----|
| Stainless steel drain grid, mm | 70  |
| Drain into sewage system, mm   | 50  |
| Quantity per box, pcs          | 16  |
| Quantity per pallet, pcs       | 320 |

## Bath waste and traps - accesories

### V0110.1000

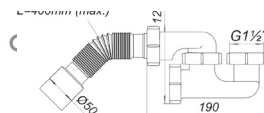
#### Trap "Wave"



|                              |     |
|------------------------------|-----|
| Drain into sewage system, mm | 50  |
| Quantity per box, pcs        | 45  |
| Quantity per pallet, pcs     | 900 |

### R0110.1000

#### Trap "Adjustable"



|                              |     |
|------------------------------|-----|
| Drain into sewage system, mm | 50  |
| Quantity per box, pcs        | 40  |
| Quantity per pallet, pcs     | 800 |



## Shower wastes and traps - CLICK/CLACK

### D0230ML

Shower waste and trap,  
galvanized



|                                |       |
|--------------------------------|-------|
| Stainless steel drain grid, mm | 40/50 |
| Quantity per box, pcs          | 35    |
| Quantity per pallet, pcs       | 700   |

### D0230

Shower waste and trap,  
galvanized

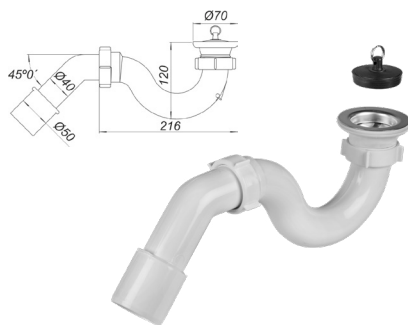


|                                |       |
|--------------------------------|-------|
| Stainless steel drain grid, mm | 40/50 |
| Quantity per box, pcs          | 35    |
| Quantity per pallet, pcs       | 700   |

## Shower wastes and traps - DN50

### D0120

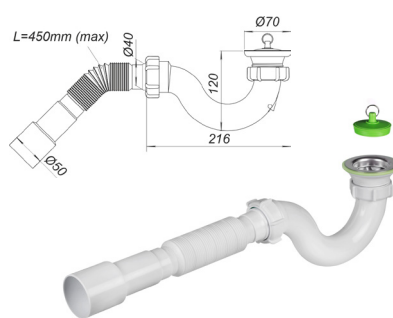
Shower waste and trap



|                                |       |
|--------------------------------|-------|
| Stainless steel drain grid, mm | 70    |
| Drain into sewage system, mm   | 40/50 |
| Quantity per box, pcs          | 30    |
| Quantity per pallet, pcs       | 600   |

### D0110ML

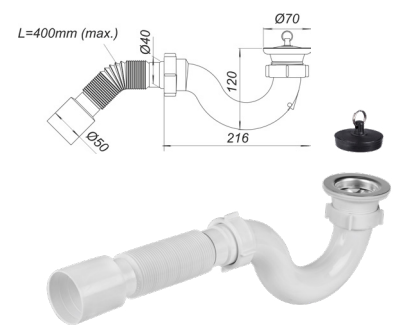
Shower waste and trap



|                                |       |
|--------------------------------|-------|
| Stainless steel drain grid, mm | 70    |
| Drain into sewage system, mm   | 40/50 |
| Quantity per box, pcs          | 30    |
| Quantity per pallet, pcs       | 600   |

### D0110

Shower waste and trap



|                                |     |
|--------------------------------|-----|
| Stainless steel drain grid, mm | 70  |
| Drain into sewage system, mm   | 50  |
| Quantity per box, pcs          | 30  |
| Quantity per pallet, pcs       | 600 |

## Shower wastes and traps - DN50

### D0100

#### Shower waste and trap

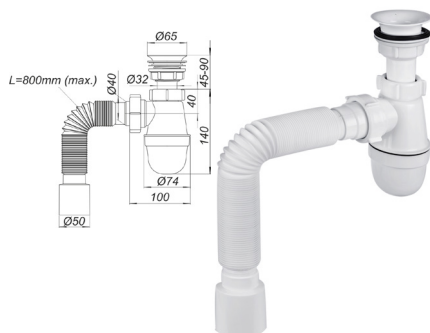


|                                |       |
|--------------------------------|-------|
| Stainless steel drain grid, mm | 70    |
| Quantity per box, pcs          | 50    |
| Quantity per pallet, pcs       | 1 000 |

## Wash-basin wastes and traps - BASIC

### U0010

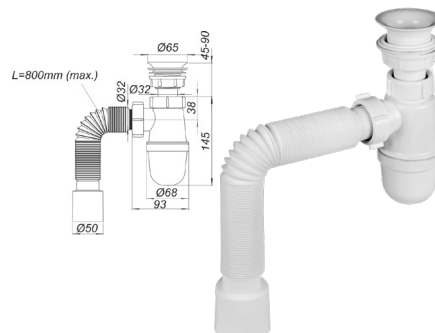
#### Wash-basin wastes and traps "Universal-ECO"



|                                |     |
|--------------------------------|-----|
| Stainless steel drain grid, mm | 65  |
| Drain into sewage system, mm   | 50  |
| Quantity per box, pcs          | 30  |
| Quantity per pallet, pcs       | 600 |

### T0005

#### Wash-basin wastes and traps "Tulip-ECO"

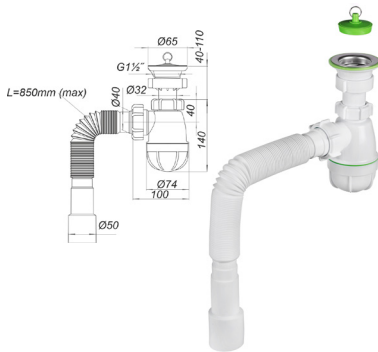


|                                |     |
|--------------------------------|-----|
| Stainless steel drain grid, mm | 65  |
| Drain into sewage system, mm   | 50  |
| Quantity per box, pcs          | 30  |
| Quantity per pallet, pcs       | 600 |

## Wash-basin wastes and traps - WITH OVERFLOW

### U0120ML

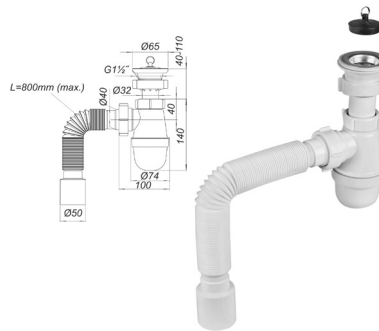
#### Wash-basin wastes and traps



|                                |       |
|--------------------------------|-------|
| Stainless steel drain grid, mm | 65    |
| Drain into sewage system, mm   | 40/50 |
| Quantity per box, pcs          | 25    |
| Quantity per pallet, pcs       | 500   |

### U0210

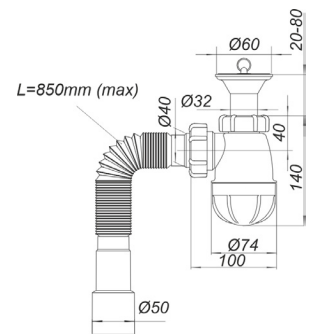
#### Wash-basin wastes and traps "Universal"



|                                |     |
|--------------------------------|-----|
| Stainless steel drain grid, mm | 65  |
| Drain into sewage system, mm   | 50  |
| Quantity per box, pcs          | 25  |
| Quantity per pallet, pcs       | 500 |

### U0115ML

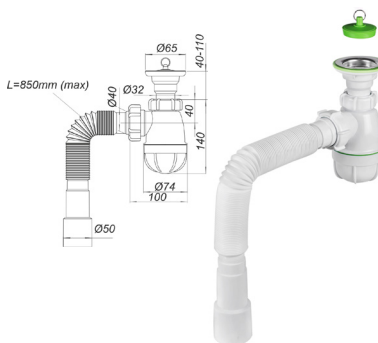
#### Wash-basin wastes and traps



|                                |       |
|--------------------------------|-------|
| Stainless steel drain grid, mm | 60    |
| Drain into sewage system, mm   | 40/50 |
| Quantity per box, pcs          | 25    |
| Quantity per pallet, pcs       | 500   |

### U0110ML

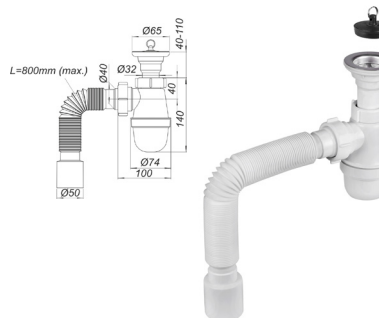
#### Wash-basin wastes and traps



|                                |       |
|--------------------------------|-------|
| Stainless steel drain grid, mm | 65    |
| Drain into sewage system, mm   | 40/50 |
| Quantity per box, pcs          | 25    |
| Quantity per pallet, pcs       | 500   |

### U0110

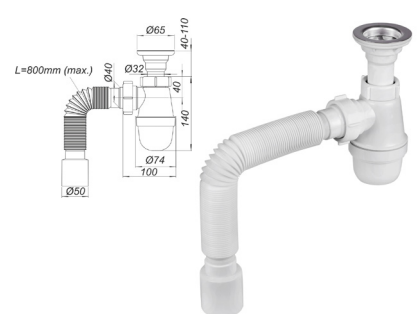
#### Wash-basin wastes and traps "Universal"



|                                |     |
|--------------------------------|-----|
| Stainless steel drain grid, mm | 65  |
| Drain into sewage system, mm   | 50  |
| Quantity per box, pcs          | 30  |
| Quantity per pallet, pcs       | 600 |

### U0111

#### Wash-basin wastes and traps "Universal"

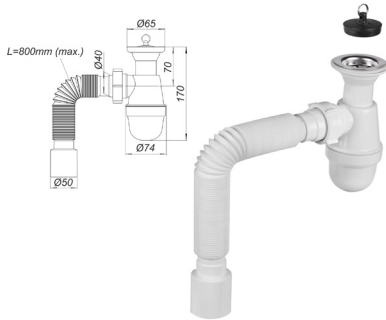


|                                |     |
|--------------------------------|-----|
| Stainless steel drain grid, mm | 60  |
| Drain into sewage system, mm   | 50  |
| Quantity per box, pcs          | 25  |
| Quantity per pallet, pcs       | 500 |

## Wash-basin wastes and traps - WITH OVERFLOW

### U1110

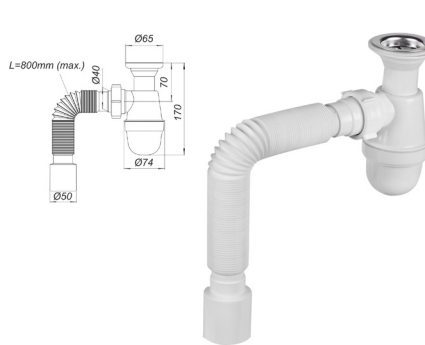
#### Wash-basin wastes and traps "Universal-Mono"



|                                |     |
|--------------------------------|-----|
| Stainless steel drain grid, mm | 65  |
| Drain into sewage system, mm   | 50  |
| Quantity per box, pcs          | 25  |
| Quantity per pallet, pcs       | 500 |

### U1111

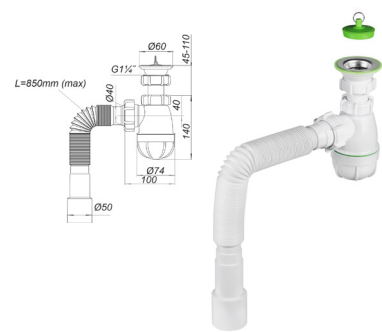
#### Wash-basin wastes and traps "Universal-Mono"



|                                |     |
|--------------------------------|-----|
| Stainless steel drain grid, mm | 65  |
| Drain into sewage system, mm   | 50  |
| Quantity per box, pcs          | 25  |
| Quantity per pallet, pcs       | 500 |

### U0415ML

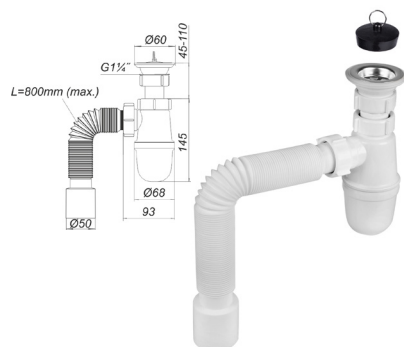
#### Wash-basin wastes and traps



|                                |       |
|--------------------------------|-------|
| Stainless steel drain grid, mm | 60    |
| Drain into sewage system, mm   | 40/50 |
| Quantity per box, pcs          | 25    |
| Quantity per pallet, pcs       | 500   |

### T0415

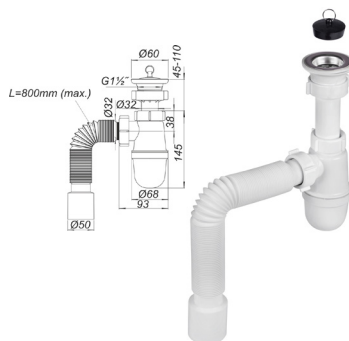
#### Wash-basin wastes and traps "Tulip"



|                                |     |
|--------------------------------|-----|
| Stainless steel drain grid, mm | 65  |
| Drain into sewage system, mm   | 50  |
| Quantity per box, pcs          | 30  |
| Quantity per pallet, pcs       | 600 |

### T0215

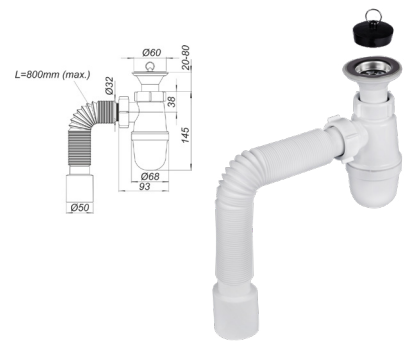
#### Wash-basin wastes and traps "Tulip"



|                                |     |
|--------------------------------|-----|
| Stainless steel drain grid, mm | 60  |
| Drain into sewage system, mm   | 50  |
| Quantity per box, pcs          | 30  |
| Quantity per pallet, pcs       | 600 |

### T0115

#### Wash-basin wastes and traps "Tulip"

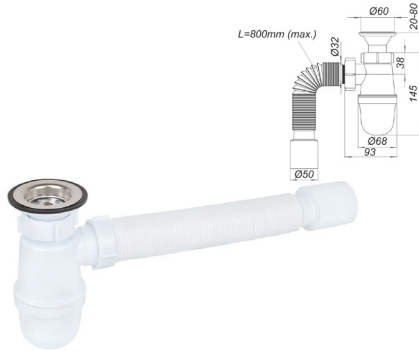


|                                |     |
|--------------------------------|-----|
| Stainless steel drain grid, mm | 60  |
| Drain into sewage system, mm   | 50  |
| Quantity per box, pcs          | 30  |
| Quantity per pallet, pcs       | 600 |

## Wash-basin wastes and traps - WITH OVERFLOW

### T0116

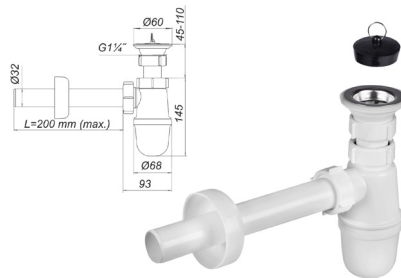
#### Wash-basin wastes and traps "Tulip"



|                                |     |
|--------------------------------|-----|
| Stainless steel drain grid, mm | 65  |
| Drain into sewage system, mm   | 50  |
| Quantity per box, pcs          | 30  |
| Quantity per pallet, pcs       | 600 |

### T0405

#### Wash-basin wastes and traps "Tulip"

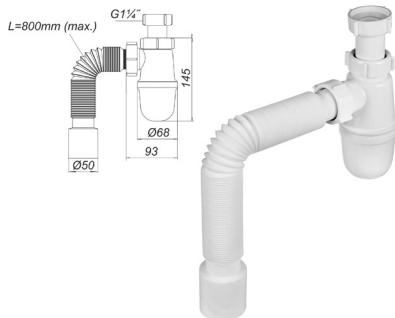


|                                |     |
|--------------------------------|-----|
| Stainless steel drain grid, mm | 60  |
| Drain into sewage system, mm   | 32  |
| Quantity per box, pcs          | 30  |
| Quantity per pallet, pcs       | 600 |

## Wash-basin wastes and traps - WITH COUPLING NUT

### T0315

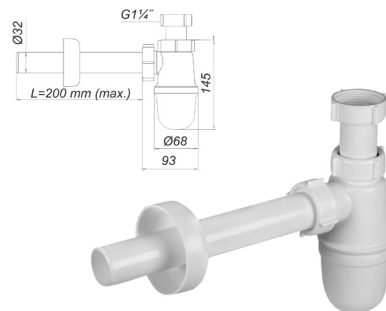
#### Wash-basin wastes and traps "Tulip"



|                              |     |
|------------------------------|-----|
| Drain into sewage system, mm | 50  |
| Quantity per box, pcs        | 35  |
| Quantity per pallet, pcs     | 700 |

### T0305

#### Wash-basin wastes and traps "Tulip"



|                              |     |
|------------------------------|-----|
| Drain into sewage system, mm | 32  |
| Quantity per box, pcs        | 35  |
| Quantity per pallet, pcs     | 700 |

## Wash-basin wastes and traps - OUTLETS

### U0100.3100

Wash-basin wastes and traps  
"Universal-Mono"



|                              |       |
|------------------------------|-------|
| Drain into sewage system, mm | 32    |
| Quantity per box, pcs        | 30    |
| Quantity per pallet, pcs     | 2 640 |

### U0200.2100

Wash-basin wastes and traps  
"Universal-Mono"



|                              |       |
|------------------------------|-------|
| Drain into sewage system, mm | 40/50 |
| Quantity per box, pcs        | 80    |
| Quantity per pallet, pcs     | 7 040 |

### T0300.2100

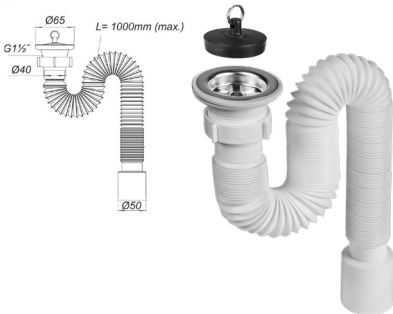
Wash-basin wastes and traps



|                              |       |
|------------------------------|-------|
| Drain into sewage system, mm | 50    |
| Quantity per box, pcs        | 100   |
| Quantity per pallet, pcs     | 8 800 |

### G0105

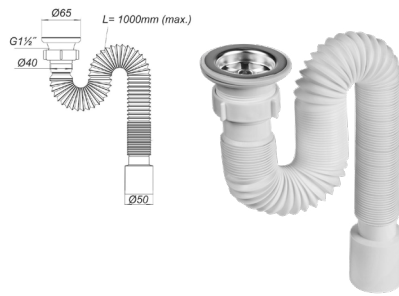
Flexible pipe + wash-basin  
waste with stainless steel grid  
and rubber plug



|                                |       |
|--------------------------------|-------|
| Stainless steel drain grid, mm | 65    |
| Drain into sewage system, mm   | 50    |
| Corrugated pipe length, mm     | 1 000 |
| Quantity per box, pcs          | 35    |
| Quantity per pallet, pcs       | 20    |

### G0106

Flexible pipe + wash-basin  
waste with stainless steel grid

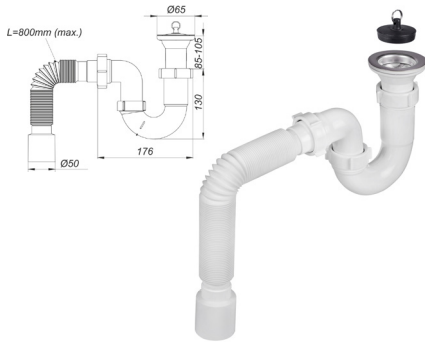


|                                |       |
|--------------------------------|-------|
| Stainless steel drain grid, mm | 65    |
| Drain into sewage system, mm   | 50    |
| Corrugated pipe length, mm     | 1 000 |
| Quantity per box, pcs          | 35    |
| Quantity per pallet, pcs       | 20    |

## Sink wastes and traps - BASIC

### N0310

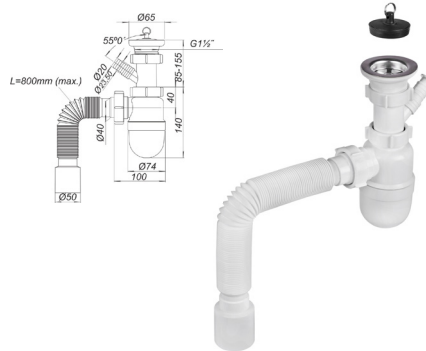
#### Sink waste and trap "Neptun"



|                                |     |
|--------------------------------|-----|
| Stainless steel drain grid, mm | 65  |
| Drain into sewage system, mm   | 50  |
| Quantity per box, pcs          | 25  |
| Quantity per pallet, pcs       | 500 |

### K0110

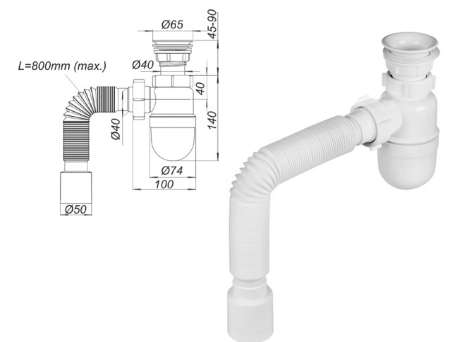
#### Sink waste and trap "Kitchen"



|                                |     |
|--------------------------------|-----|
| Stainless steel drain grid, mm | 65  |
| Drain into sewage system, mm   | 50  |
| Quantity per box, pcs          | 25  |
| Quantity per pallet, pcs       | 500 |

### K0010

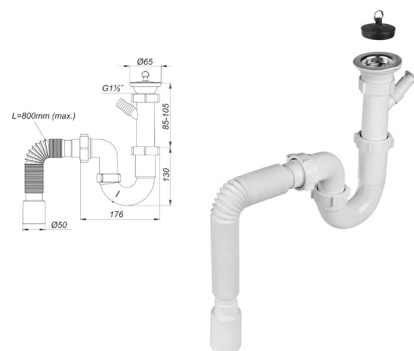
#### Sink waste and trap "Kitchen"



|                                |     |
|--------------------------------|-----|
| Stainless steel drain grid, mm | 65  |
| Drain into sewage system, mm   | 50  |
| Quantity per box, pcs          | 30  |
| Quantity per pallet, pcs       | 600 |

### N0110

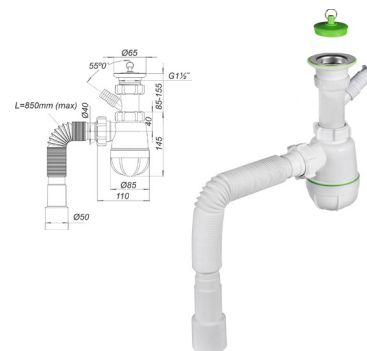
#### Sink waste and trap "Neptun"



|                                |     |
|--------------------------------|-----|
| Stainless steel drain grid, mm | 65  |
| Drain into sewage system, mm   | 50  |
| Quantity per box, pcs          | 25  |
| Quantity per pallet, pcs       | 500 |

### Q1115ML

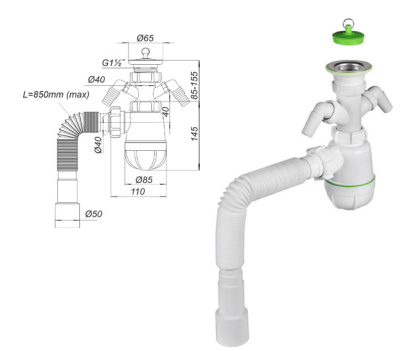
#### Sink waste and trap



|                                |       |
|--------------------------------|-------|
| Stainless steel drain grid, mm | 65    |
| Drain into sewage system, mm   | 40/50 |
| Quantity per box, pcs          | 20    |
| Quantity per pallet, pcs       | 400   |

### Q1110ML

#### Sink waste and trap

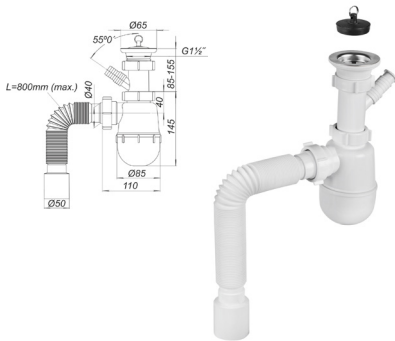


|                                |       |
|--------------------------------|-------|
| Stainless steel drain grid, mm | 65    |
| Drain into sewage system, mm   | 40/50 |
| Quantity per box, pcs          | 18    |
| Quantity per pallet, pcs       | 360   |

## Sink wastes and traps - BASIC

### K1110

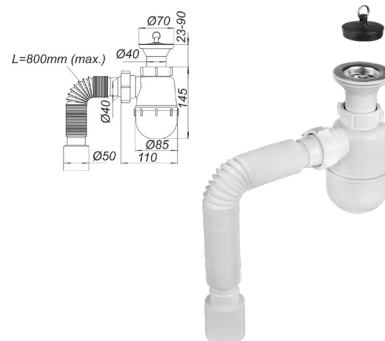
#### Sink waste and trap "Kitchen-Elit"



|                                |     |
|--------------------------------|-----|
| Stainless steel drain grid, mm | 65  |
| Drain into sewage system, mm   | 50  |
| Quantity per box, pcs          | 20  |
| Quantity per pallet, pcs       | 400 |

### K1310

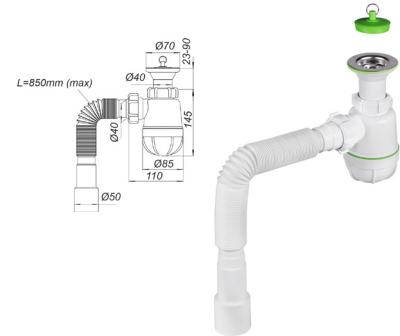
#### Sink waste and trap "Kitchen-Elit"



|                                |     |
|--------------------------------|-----|
| Stainless steel drain grid, mm | 65  |
| Drain into sewage system, mm   | 50  |
| Quantity per box, pcs          | 25  |
| Quantity per pallet, pcs       | 500 |

### Q0310ML

#### Sink waste and trap



|                                |       |
|--------------------------------|-------|
| Stainless steel drain grid, mm | 60    |
| Drain into sewage system, mm   | 40/50 |
| Quantity per box, pcs          | 20    |
| Quantity per pallet, pcs       | 400   |

### N0410

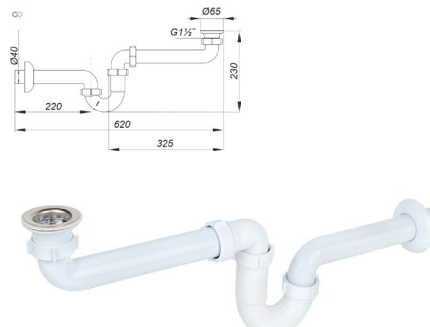
#### Sink waste and trap "Neptun"



|                                |     |
|--------------------------------|-----|
| Stainless steel drain grid, mm | 65  |
| Drain into sewage system, mm   | 40  |
| Quantity per box, pcs          | 16  |
| Quantity per pallet, pcs       | 320 |

### N0411

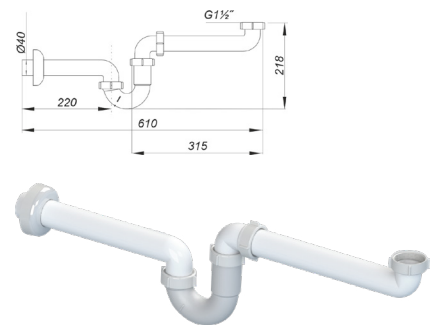
#### Sink waste and trap "Neptun"



|                                |     |
|--------------------------------|-----|
| Stainless steel drain grid, mm | 65  |
| Drain into sewage system, mm   | 50  |
| Quantity per box, pcs          | 25  |
| Quantity per pallet, pcs       | 500 |

### N0401

#### Sink waste and trap "Neptun"



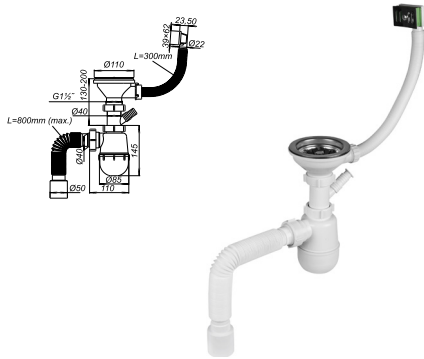
|                              |     |
|------------------------------|-----|
| Drain into sewage system, mm | 40  |
| Quantity per box, pcs        | 20  |
| Quantity per pallet, pcs     | 400 |



## Sink wastes and traps - WITH OVERFLOW

### Q1150ML

#### Sink waste and trap "Kitchen-Elit"



|                                |       |
|--------------------------------|-------|
| Stainless steel drain grid, mm | 110   |
| Drain into sewage system, mm   | 40/50 |
| Quantity per box, pcs          | 12    |
| Quantity per pallet, pcs       | 240   |

### N0150

#### Sink waste and trap "Neptun"



|                                |     |
|--------------------------------|-----|
| Stainless steel drain grid, mm | 110 |
| Drain into sewage system, mm   | 50  |
| Quantity per box, pcs          | 16  |
| Quantity per pallet, pcs       | 320 |

### K1150

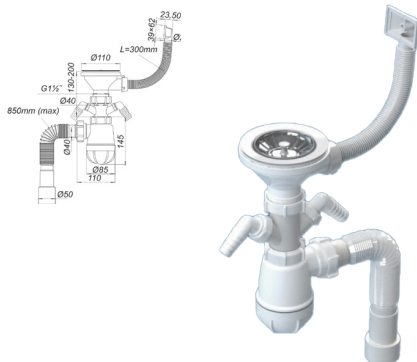
#### Sink waste and trap "Kitchen-Elit"



|                                |     |
|--------------------------------|-----|
| Stainless steel drain grid, mm | 110 |
| Drain into sewage system, mm   | 50  |
| Quantity per box, pcs          | 15  |
| Quantity per pallet, pcs       | 300 |

### Q1155ML

#### Sink waste and trap



|                                |       |
|--------------------------------|-------|
| Stainless steel drain grid, mm | 110   |
| Drain into sewage system, mm   | 40/50 |
| Quantity per box, pcs          | 12    |
| Quantity per pallet, pcs       | 240   |

### Q1151ML

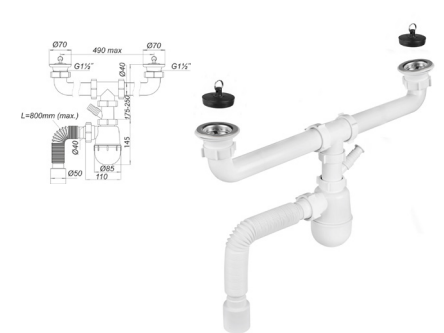
#### Sink waste and trap for granite sink



|                                |       |
|--------------------------------|-------|
| Stainless steel drain grid, mm | 110   |
| Drain into sewage system, mm   | 40/50 |
| Quantity per box, pcs          | 12    |
| Quantity per pallet, pcs       | 240   |

### K1410

#### Sink waste and trap "Kitchen-Elit"

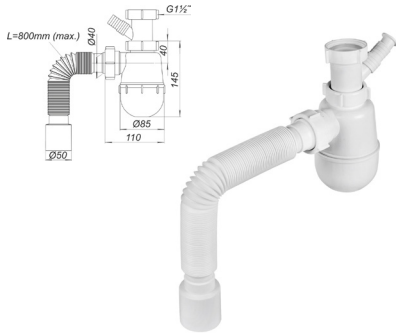


|                                |     |
|--------------------------------|-----|
| Stainless steel drain grid, mm | 65  |
| Drain into sewage system, mm   | 50  |
| Quantity per box, pcs          | 12  |
| Quantity per pallet, pcs       | 240 |

## Sink wastes and traps - WITH COUPLING NUT

### K1100

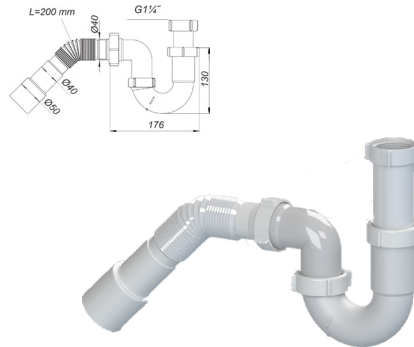
#### Sink waste and trap "Neptun"



|                              |     |
|------------------------------|-----|
| Drain into sewage system, mm | 50  |
| Quantity per box, pcs        | 25  |
| Quantity per pallet, pcs     | 500 |

### N0415

#### Sink waste and trap "Neptun"

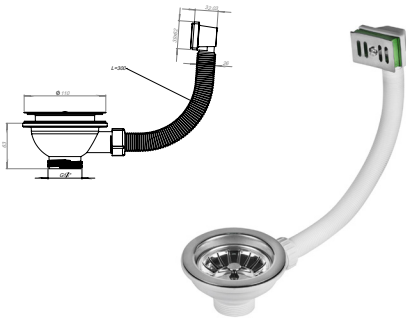


|                              |       |
|------------------------------|-------|
| Drain into sewage system, mm | 40/50 |
| Quantity per box, pcs        | 16    |
| Quantity per pallet, pcs     | 320   |

## Sink wastes and traps - OUTLETS

### K1100.2100

#### Sink waste and trap

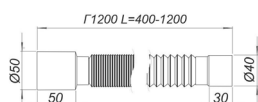


|                                |     |
|--------------------------------|-----|
| Stainless steel drain grid, mm | 110 |
| Quantity per box, pcs          | 10  |
| Quantity per pallet, pcs       | 880 |

## Flexible Pipes

### G1200

Flexible pipe, plastic nut G1½"



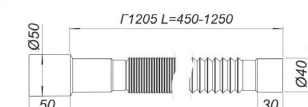
Drain into sewage system, mm 50

Quantity per box, pcs 50

Quantity per pallet, pcs 20

### G1205

Flexible pipe



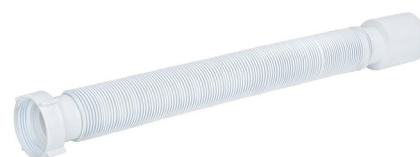
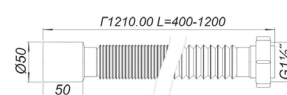
Drain into sewage system, mm 50

Quantity per box, pcs 40

Quantity per pallet, pcs 20

### G1210.00

Flexible pipe



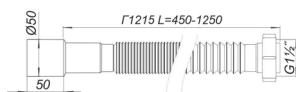
Drain into sewage system, mm 50

Quantity per box, pcs 45

Quantity per pallet, pcs 20

### G1215

Flexible pipe, plastic nut G1½"



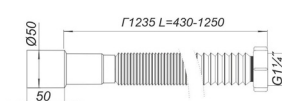
Drain into sewage system, mm 50

Quantity per box, pcs 40

Quantity per pallet, pcs 20

### G1235

Flexible pipe, plastic nut G1½"



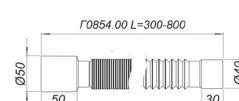
Drain into sewage system, mm 50

Quantity per box, pcs 40

Quantity per pallet, pcs 20

### G0854.00

Flexible pipe



Drain into sewage system, mm 50

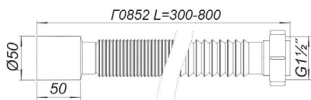
Quantity per box, pcs 70

Quantity per pallet, pcs 20

## Flexible Pipes

### G0852

Flexible pipe, plastic nut G1½"



|                              |    |
|------------------------------|----|
| Drain into sewage system, mm | 50 |
| Quantity per box, pcs        | 70 |
| Quantity per pallet, pcs     | 20 |

### G0835

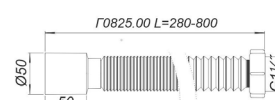
Flexible pipe, plastic nut G1½"



|                              |    |
|------------------------------|----|
| Drain into sewage system, mm | 50 |
| Quantity per box, pcs        | 45 |
| Quantity per pallet, pcs     | 20 |

### G0825.00

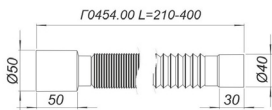
Flexible pipe, plastic nut G1½"



|                              |    |
|------------------------------|----|
| Drain into sewage system, mm | 50 |
| Quantity per box, pcs        | 70 |
| Quantity per pallet, pcs     | 20 |

### G0454.00

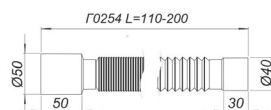
Flexible pipe



|                              |     |
|------------------------------|-----|
| Drain into sewage system, mm | 50  |
| Quantity per box, pcs        | 100 |
| Quantity per pallet, pcs     | 20  |

### G0254

Flexible pipe

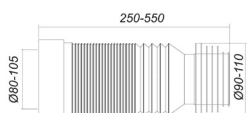


|                              |    |
|------------------------------|----|
| Drain into sewage system, mm | 50 |
| Quantity per box, pcs        | 1  |
| Quantity per pallet, pcs     | 20 |

## WC flexible connectors

### GU-550

#### WC flexible connector



|                          |        |
|--------------------------|--------|
| WC pan connection, mm    | 80-105 |
| Sewage connection, mm    | 90-110 |
| Quantity per box, pcs    | 18     |
| Quantity per pallet, pcs | 24     |



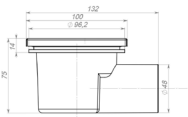


04

## FLOOR DRAINS

**T50.00**

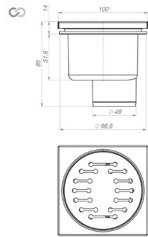
**Floor drain 105x105/50 mm,  
side outlet, stainless steel  
grid, wet odour trap**



|                          |    |
|--------------------------|----|
| Flow rate, l/min         | 42 |
| Quantity per box, pcs    | 48 |
| Quantity per pallet, pcs | 20 |

**T50.00**

**Floor drain 105x105/50 mm,  
straight outlet, stainless steel  
grid, wet odour trap**



|                          |    |
|--------------------------|----|
| Flow rate, l/min         | 42 |
| Quantity per box, pcs    | 45 |
| Quantity per pallet, pcs | 20 |

05

## TOILET BRUSHES

|                              |    |
|------------------------------|----|
| Toilet brushes               | 49 |
| Toilet brushes - spare heads | 52 |

In addition to the production of sanitary products, the company has in its product line range of toilet brushes, which will suit bathrooms of various designs. Toilet brushes can be produced in absolutely any color and can be completed with or without a cover covering the brush.





## KT010

### Toilet brush & holder "Standard"



Dimensions, mm 154x154x380

Weight, kg 0,133

Material polypropylene

Colors White, Beige, Gray, Black, Blue

Quantity per box, pcs 40

Quantity per pallet, pcs 960

## KT020

### Toilet brush & holder "Original"



Dimensions, mm 149x183x425

Weight, kg 0,177

Material polypropylene

Colors White, Beige, Gray, Black, Blue

Quantity per box, pcs 34

Quantity per pallet, pcs 816

## KT030

### Toilet brush & holder "Paris"



Dimensions, mm 141x141x425

Weight, kg 0,177

Material polypropylene

Colors White, Beige, Gray, Black, Blue

Quantity per box, pcs 34

Quantity per pallet, pcs 816

## KT040

### Toilet brush & holder "Mini"



Dimensions, mm 166x166x380

Weight, kg 0,133

Material polypropylene

Colors White, Beige, Gray, Black, Blue

Quantity per box, pcs 50

Quantity per pallet, pcs 1200

## KT050

### Toilet brush & holder "Practic"



Dimensions, mm 142x142x410

Weight, kg 0,169

Material polypropylene

Colors White, Beige, Gray, Black, Tiffany

Quantity per box, pcs 34

Quantity per pallet, pcs 816

### Toilet brush & holder with lid



Toilet brush & holder  
"Standard"

Toilet brush & holder  
"Mini"

Toilet brush & holder  
"Paris"

Toilet brush & holder  
"Practic"

## Spare toilet brush heads

### CHU-82B.ZP

Spare toilet brush head - white



|                        |    |
|------------------------|----|
| Height, mm             | 82 |
| Diameter, mm           | 81 |
| Tufts of bristles, qty | 78 |

### CHU-82CH.ZP

Spare toilet brush head - black



|                        |    |
|------------------------|----|
| Height, mm             | 82 |
| Diameter, mm           | 81 |
| Tufts of bristles, qty | 78 |





17 Wiejska St., office 14  
00-480  
Warsaw, Poland  
[info@avirock.com](mailto:info@avirock.com)  
[avirock.com](http://avirock.com)